

Photomultiplier Tube

Model: OPR-PMT1013-AD

Features

- Wide Spectral Response
- High Gain
- High Cathode Sensitivity

Applications

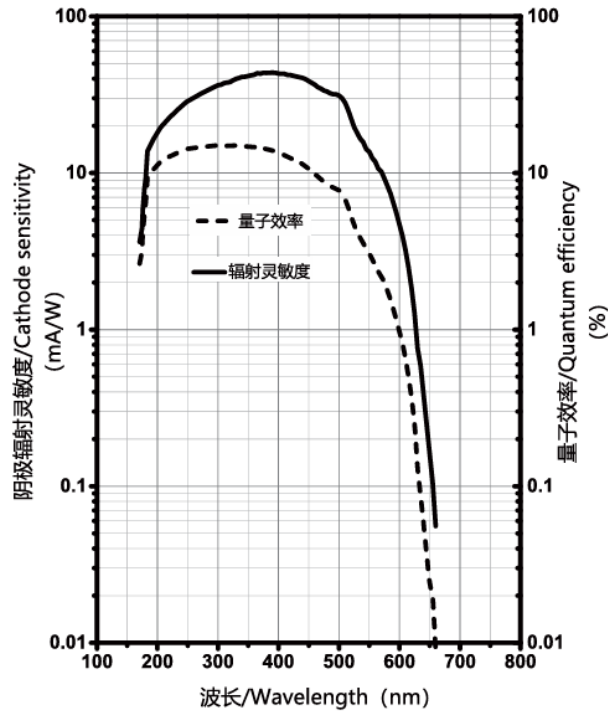
- Environment Monitoring
- Semiconductor Detection
- Bioluminescence Detection
- In Vitro Diagnosis



Technical Specification

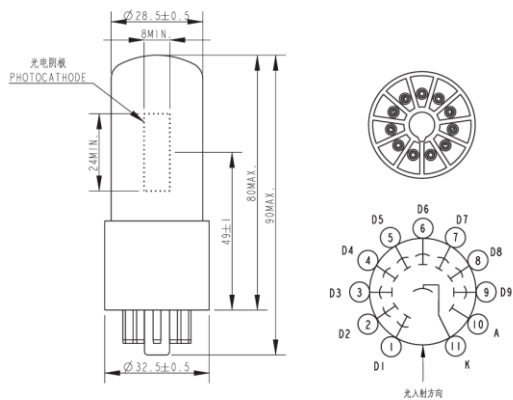
Window material	Quartz glass			
Photocathode material	Bialkali			
Proportion of cathode	8 × 24 mm ²			
Dynode structure	Circular			
Spectral response	165nm~650nm			
	Min.	Typ.	Max.	Unit.
Peak Quantum efficiency		15		%
Peak Photocathode Radiant sensitivity		45		mA/W
Photocathode Luminous sensitivity	25	50		μA/lm
Gain	1 × 10 ⁷			--
Anode Luminous sensitivity	200	500		A/lm
Anode current		3	7	nA

Typical spectral response curve

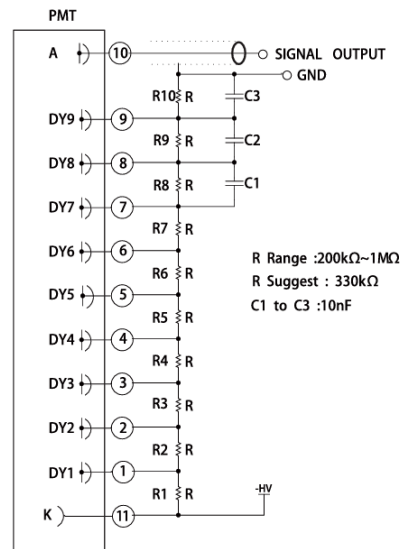


N1013A-4, N1013A-5

PMT structure



PMT voltage distribution ratio



电极	K	Dy1	Dy2	Dy3	Dy4	Dy5	Dy6	Dy7	Dy8	Dy9	A
分压比	1	1	1	1	1	1	1	1	1	1	1

K: 阴极; Dy: 打拿极; A: 阳极
K: Cathode ; Dy: Dynode; A: Anode