

Photomultiplier Tube

Model: OPR-PMT1013-BD

Features

- Wide Spectral Response
- High Gain
- High Cathode Sensitivity

Applications

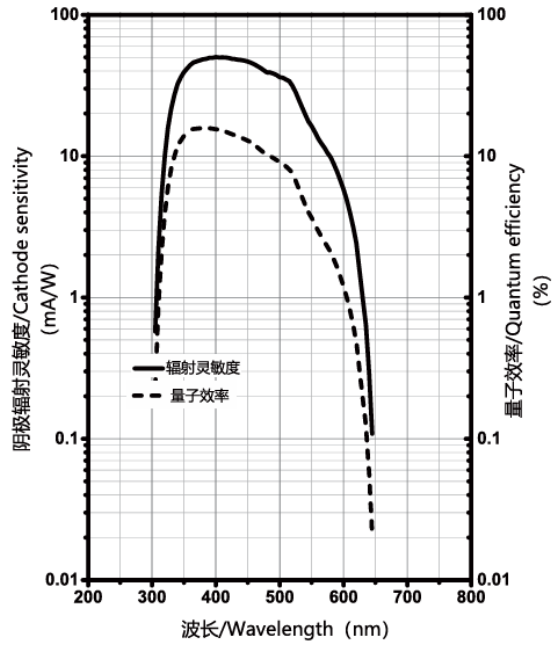
- Environment Monitoring
- Semiconductor Detection
- Bioluminescence Detection
- In Vitro Diagnosis



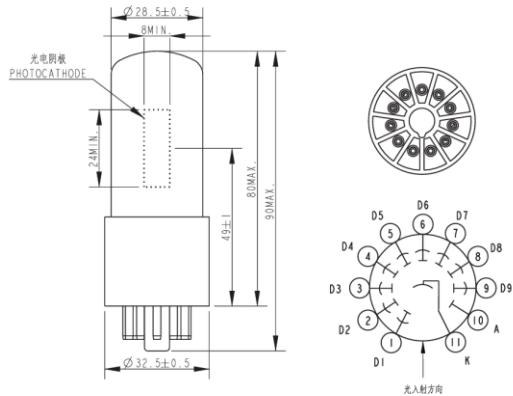
Technical Specification

Window material	Quartz glass			
Photocathode material	Bialkali			
Proportion of cathode	8 × 24 mm ²			
Dynode structure	Circular			
Spectral response	165nm~650nm			
	Min.	Typ.	Max.	Unit.
Peak Quantum efficiency		15		%
Peak Photocathode Radiant sensitivity		50		mA/W
Photocathode Luminous sensitivity	25	50		μA/lm
Gain	1 × 10 ⁷			--
Anode Luminous sensitivity	200	500		A/lm
Anode current		3	7	nA

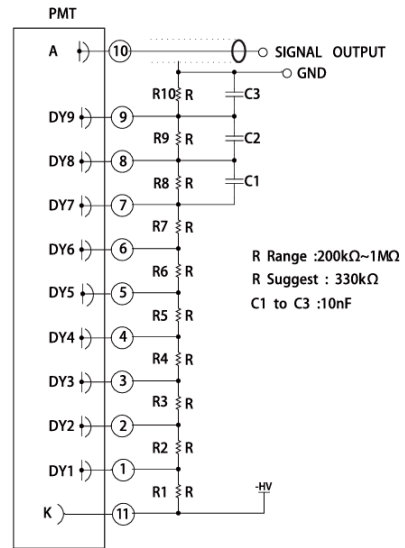
Typical spectral response curve



PMT structure



PMT voltage distribution ratio



电极	K	Dy1	Dy2	Dy3	Dy4	Dy5	Dy6	Dy7	Dy8	Dy9	A
分压比	1	1	1	1	1	1	1	1	1	1	1

K: 阴极; Dy: 打拿极; A: 阳极
K: Cathode; Dy: Dynode; A: Anode